

PHANTOM POWER

The MX122 Phantom Power is applied to the XLR input when the jumper connects the right two pins as you face the rear of the unit. Shown is an example of the Phantom Power connected.



LIMITED WARRANTY

This product is warranted to the original consumer purchaser to be free from defects in materials and workmanship under normal installation, use and service for a period of one (1) year from the date of purchase as shown on the purchaser's receipt.

The obligation of Rolls Corporation under this warranty shall be limited to repair or replacement (at our option), during the warranty period of any part which proves defective in material or workmanship under normal installation, use and service, provided the product is returned to Rolls Corporation, TRANSPORTATION CHARGES PRE-PAID. Products returned to us or to an authorized Service Center must be accompanied by a copy of the purchase receipt. In the absence of such purchase receipt, the warranty period shall be one (1) year from the date of manufacture.

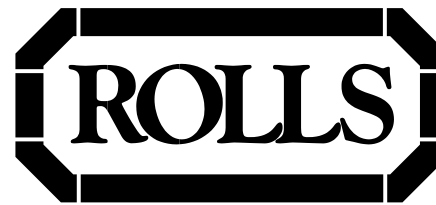
This warranty shall be invalid if the product is damaged as a result of defacement, misuse, abuse, neglect, accident, destruction or alteration of the serial number, improper electrical voltages or currents, repair, alteration or maintenance by any person or party other than our own service facility or an authorized Service Center, or any use violative of instructions furnished by us.

This one-year warranty is in lieu of all expressed warranties, obligations or liabilities. ANY IMPLIED WARRANTIES, OBLIGATIONS, OR LIABILITIES, INCLUDING BUT NOT LIMITED TO THE IMPLIED WARRANTIES OF MERCHANTABILITY AND FITNESS FOR A PARTICULAR PURPOSE, SHALL BE LIMITED IN DURATION TO THE ONE YEAR DURATION OF THIS WRITTEN LIMITED WARRANTY. Some states do not allow limitations on how long an implied warranty lasts, so the above limitation may not apply to you.

IN NO EVENT SHALL WE BE LIABLE FOR ANY SPECIAL, INCIDENTAL OR CONSEQUENTIAL DAMAGES FOR BREACH OF THIS OR ANY OTHER WARRANTY, EXPRESSED OR IMPLIED, WHATSOEVER. Some states do not allow the exclusion or limitation of special, incidental or consequential damages so the above limitation or exclusion may not apply to you. This warranty gives you specific legal rights, and you may also have other rights which vary from state to state.



ROLLS CORPORATION
SALT LAKE CITY, UTAH
4/03



MX122 MiniMix Pro Mixer



SPECIFICATIONS

Input Impedance:	Line:	10 K Ohms unbal.
	Mic:	10 K Ohms bal.
Phantom Power Voltage:		+12 VDC
Output Impedance:		50 Ohms bal
Max Input Level:		+24 dBV line, -8 dBV microphone
Phase Shift:		< 10 deg. 20 Hz - 20 kHz
Connectors:		8: 1/4" TS Inputs, 1: XLR Mic Input 3: 1/4" TRS, 1: 1/8" (3.5mm) Outputs
Max Gain:		26 dB Line 26 dB Aux 80 dB Mic
Mic CMRR:		95 dB
S/N Ratio:		>90 dB
THD		< .004%
IMD (SMPTE)		< .004%
Self Noise:		< - 82 dB
Power		12 VDC
Size:		8.4" x 1.7" x 5" (21.3 x 4.3 x 13 cm)
Weight:		2.5 lbs (1.14 kg)

OWNERS MANUAL

Thank you for your purchase of the Rolls MX122 MiniMix Pro Mixer. The MX122 is a line-level mixer featuring a single mic input and four channels of stereo inputs.

INSPECTION

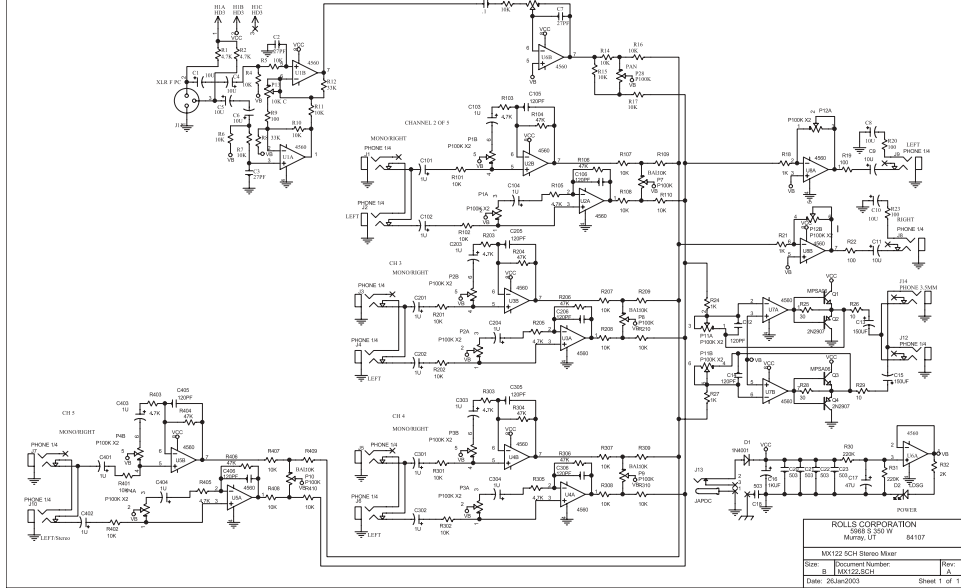
1. Unpack and inspect the MX122 box and package. Your MX122 was carefully packed at the factory in a protective carton. Nonetheless, be sure to examine the unit and the carton for any signs of damage that may have occurred during shipping. If obvious physical damage is noticed, contact the carrier immediately to make a damage claim. We suggest saving the shipping carton and packing materials for safely transporting the unit in the future.

2. Please visit our website at www.rolls.com and click on the **Register Warranty Here** text, then fill out the Warranty Registration info to register your MX122. Or you may complete the enclosed Warranty Registration Card and return it to the factory.

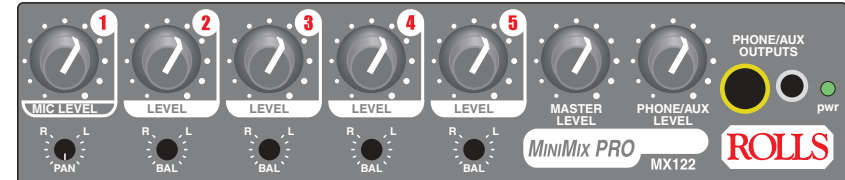
FEATURES

- 1 XLR balanced Mic Input with rear panel Trim control
- +12VDC Phantom Power
- 4 individual 1/4" Stereo Inputs
- Balanced 1/4" TRS Outputs
- Balance control on each channel (Pan on the Mic channel)
- Headphone / Auxiliary Outputs
- External Power Supply included for low noise operation

SCHEMATIC



FRONT PANEL



Channel One

Mic Level: Adjusts the signal level of the microphone preamp circuitry.
 Pan: Adjusts the relative level of the microphone signal to the Right and Left Outputs.

Note: Channels Two through Five are identical.

Channel Two - Five Section

Level: Adjusts the overall signal level of the channel.
 Bal: Adjusts the relative level of the channel signal to the Right and Left outputs.

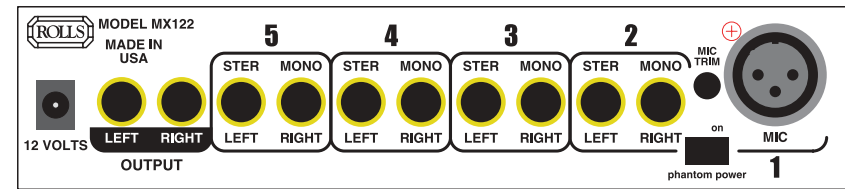
Master Level : Controls the overall output level of the MX122.

Phone/Aux Level: Adjusts the output level of the Phone/Aux Outputs.

Phone/Aux Outputs: 1/4" and 1/8" (3.5mm) TRS stereo jacks for monitoring the master right and left signals, also may be used as an alternative stereo output for connecting to another stereo amplifier.

PWR: Indicates that the MX122 is connected to an AC outlet and is on.

REAR PANEL



12 VDC: Connects to the included Rolls PS27 12 VDC power supply.

Master Outputs

Right and Left Out: 1/4" TRS balanced main output jacks. For connection to an amplifier, recording device or signal processor.

Channel Inputs

Note: Channels Two through Five are identical.

Right / Left: 1/4" TS unbalanced jacks for connection to the right and left outputs of a stereo instrument. If a mono signal is being sent, use the Right input, for a Tip-Ring-Sleeve stereo signal, use the Left input.

Mic Input Channel 1: Balanced XLR jack for connection to a condenser or dynamic microphone.

Phantom Power: Jumper connector for applying +12V phantom power to the Mic XLR Input jack.

Mic Trim: Adjusts the initial gain of the Mic preamp circuitry.